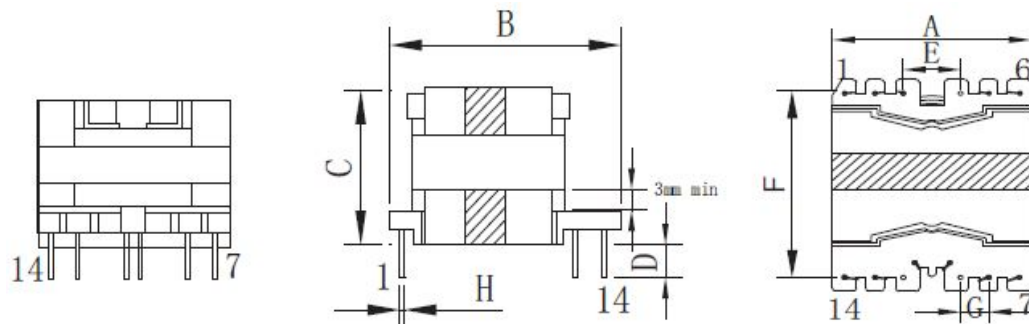


CUSTOMER TERMINAL	ROHS	Lead(Pb)-free
	YES	YES

## 1. Mechanical Dimensions



A	29.0	MAX
B	35.0	MAX
C	26.5	MAX
D	3.5	±0.5
E	7.6	±0.3
F	29.5	±0.4
G	3.8	±0.3
H	0.60	±0.1

## 3. Material List

Core:FW44 PQ2625

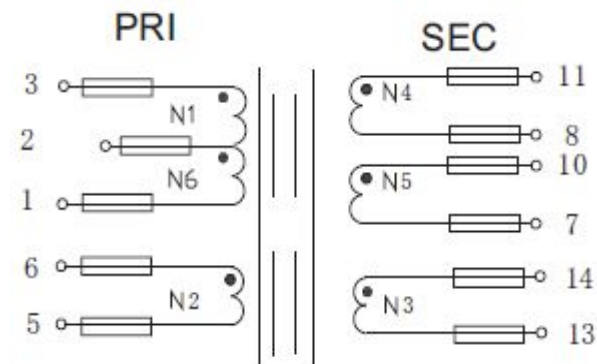
Bobbin:FWB2602(6+6PIN)

Wire:2UEW TIW

Copper foil: 0.025t\*8.0mm

Operating Temperature: -30 to115 °C

## 2. Schematic Diagram



## 4. Electrical Specification

Inductance: L(1-3):900uH±5% 50KHZ , 1V

Leakage Inductance : 6uH MAX 50KHZ , 1V

DCR:(1-3)=196.8mΩMAX (11-8)=33.6mΩMAX

Hi-Pot:P-S: AC 60Hz 4000V 1.0mA 3S

S-CORE: AC 60Hz 4000V 1.0mA 3S

REV.	DATE	<p>Convention Placement</p>	DRW.		Drawing Title:	Part No:
0	00/00		CHK.			
ROHS			<a href="http://www.ferriwo.com">www.ferriwo.com</a>	APP.		Customer P/N